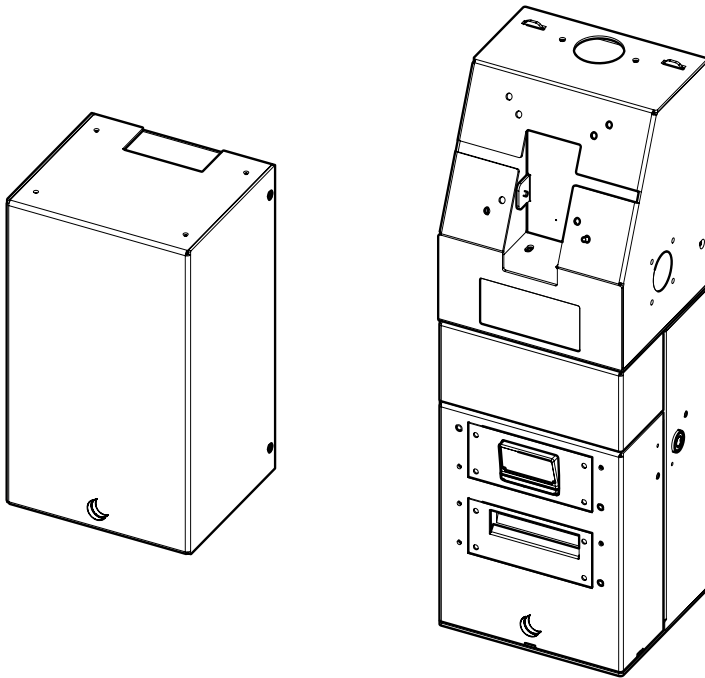


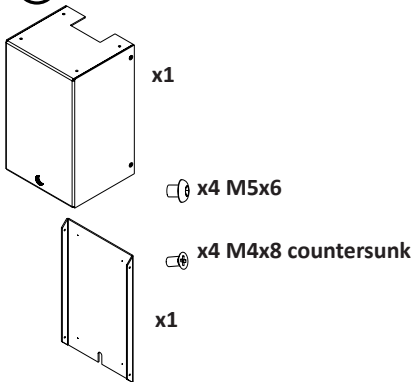
# Installation Guide

## SPK200, SPK20X, SPK5XX

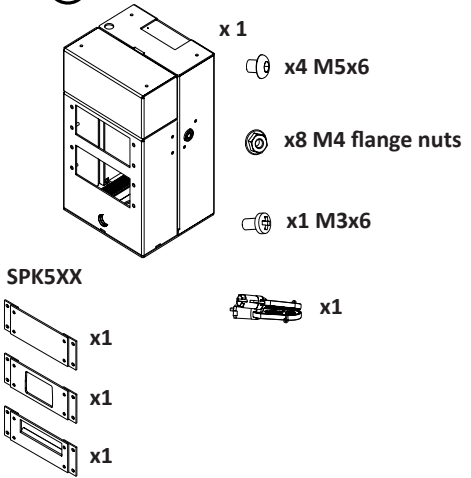
### Center module for the SpacePole Kiosk



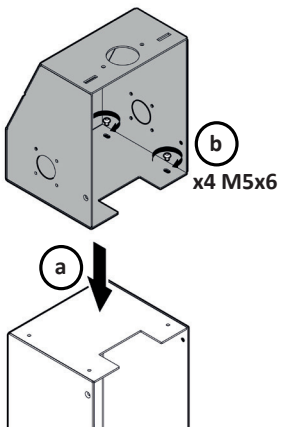
**A** SPK200



**B** SPK20X

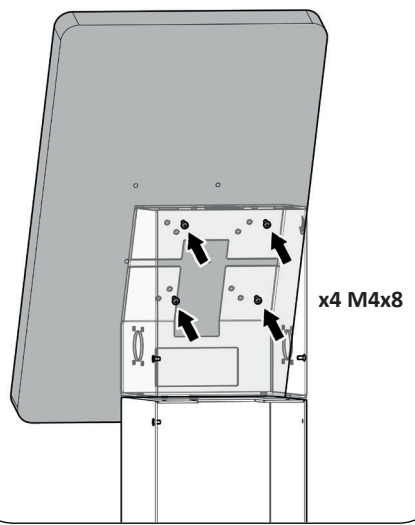


**A1** Assemble the parts



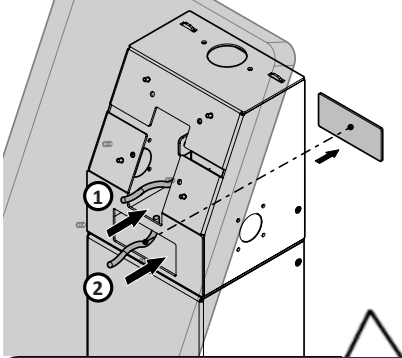
- a Place the top module on the center module
- b Secure it with the screws supplied

**A2** Install screen



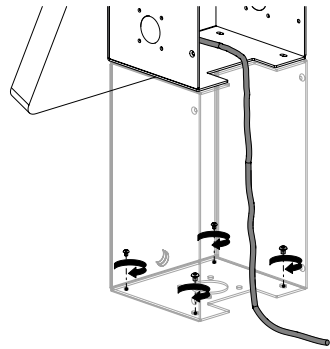
### A3 Run cables

Two options for cable management



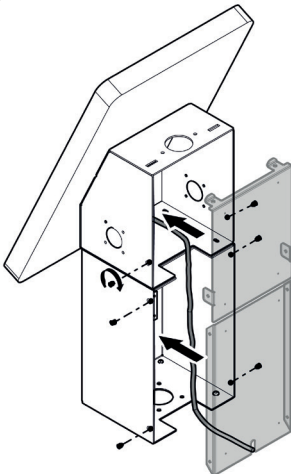
For large screens:  
Remove cutout from the bottom of the top module for alternative cable management

### A4 Install to counter



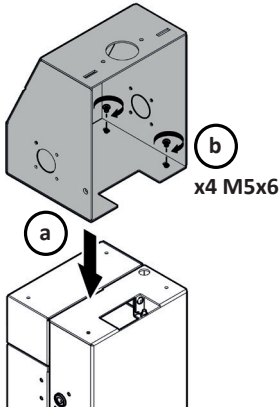
Fixings not included: It is the responsibility of the installers to ensure the correct fixings are used for the

### A5 Install backplates



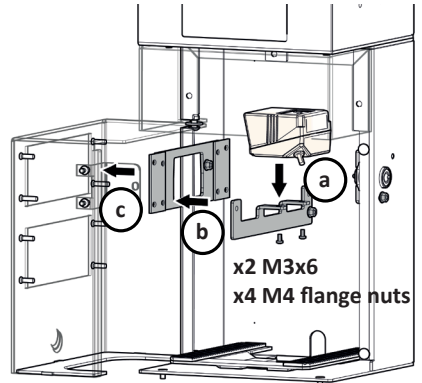
x6 M4x8 countersunk

### B1 Assemble the parts



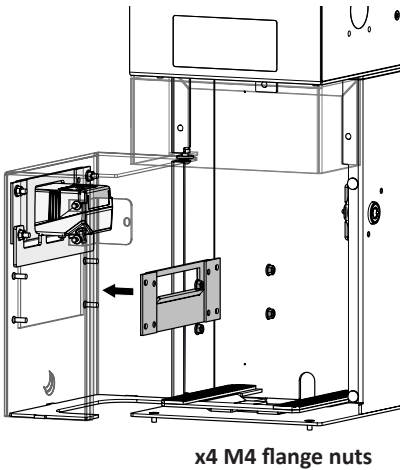
- a Place the top module on the center module
- b Secure it with the screws supplied

### B2 Install scanner and cover

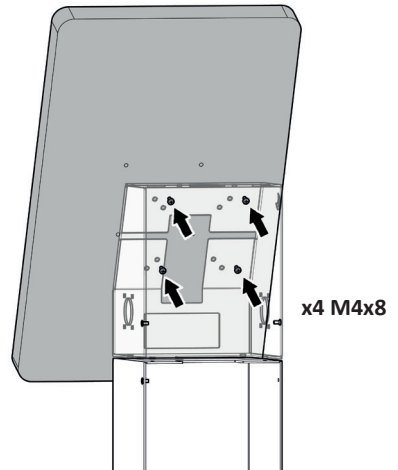


Note that the scanner must be mounted on to the bracket prior to installing the bracket and cover to the front of the Center module

### B3 Printer Cover Installation

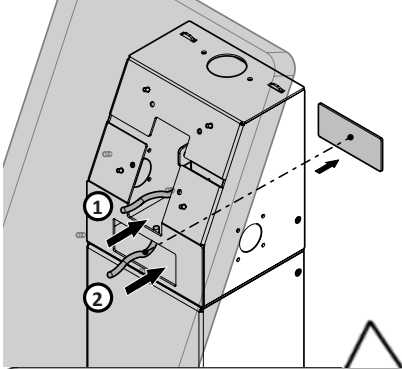


### B4 Install screen using supplied fixing



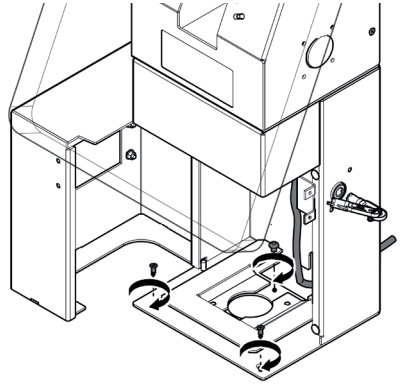
## B5 Run cables

Two options for cable management



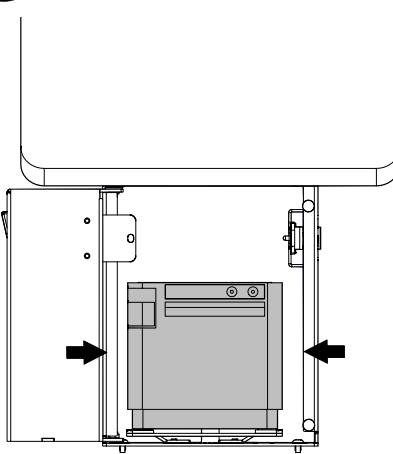
For large screens:  
Remove cutout from the bottom of the top module for alternative cable management

## B6 Install to counter



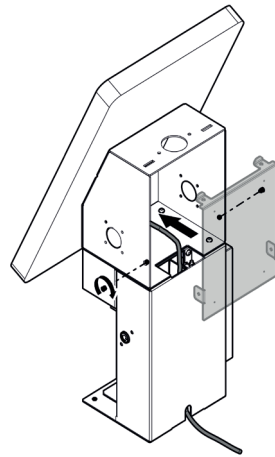
Fixings not included: It is the responsibility of the installers to ensure the correct fixings are used for the

## B7 Printer installation



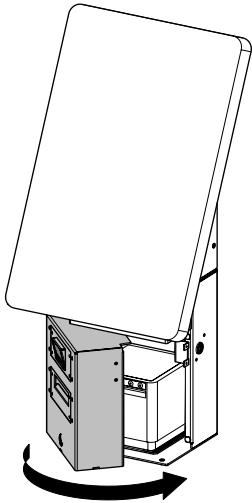
Center the printer on the plate

## B8 Run cables and install backplate

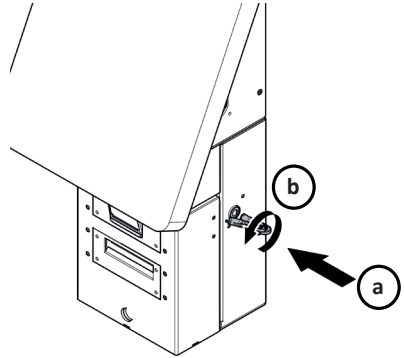


x2 M4x8 countersunk

**B9** Close and lock the door



**B10** Close and lock the door



- a** Push in the lock with the key
- b** Lock the door with the key