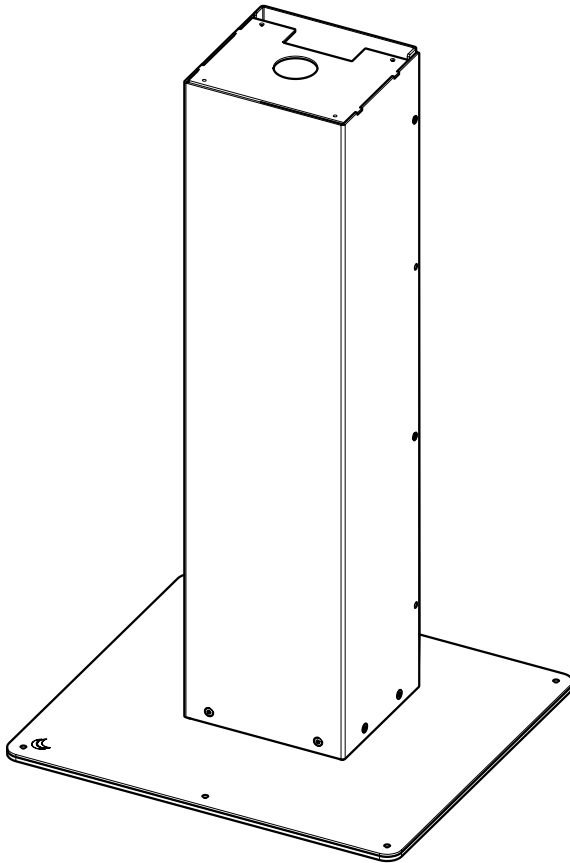


Installation Guide

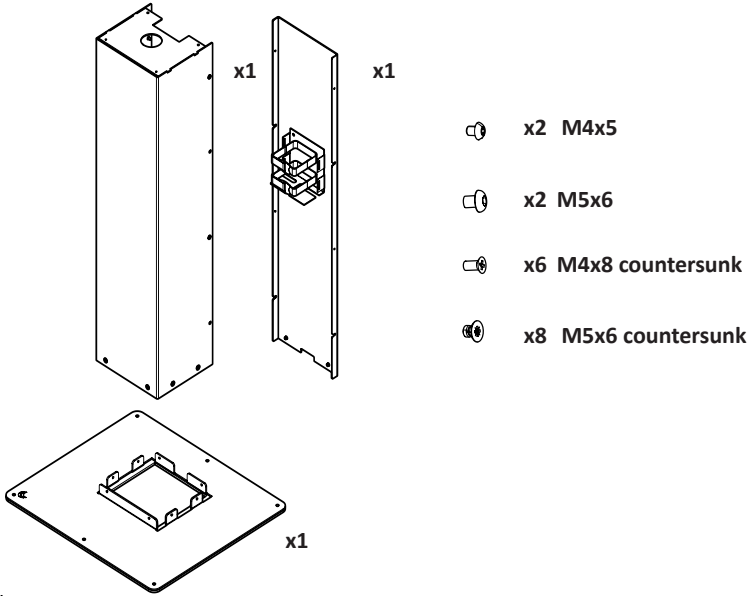
SPK300

Freestanding module for the SpacePole Kiosk

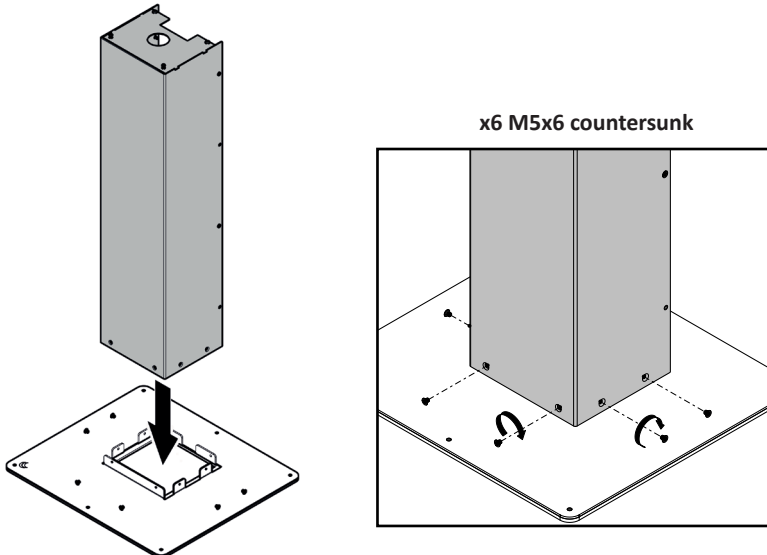


Box Content

SPK300



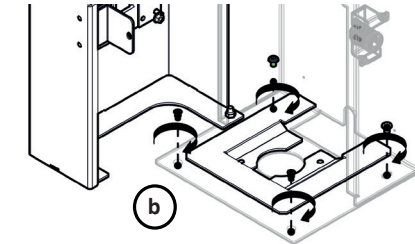
1 Assemble the base



Make sure that front part of the module faces the logo on the base plate

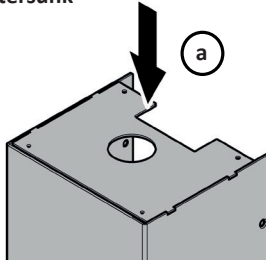
To assemble the top and center module of the kiosk; please see installation guide MK15-0342

2A Install kiosk module SPK20X



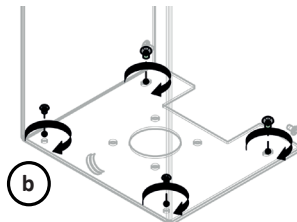
x2 M5x6 for the back

x2 M4x8 countersunk for the front



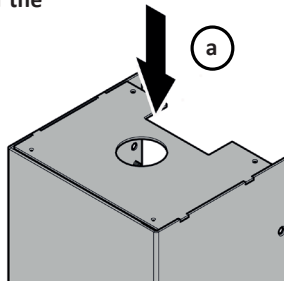
- a Place the center module on the freestanding module
- b Secure it with the screws provided. Please note 2 x M5X6 screws for the back and 2 x M4x8 countersunk screws for the front

2B Install kiosk module SPK200



x2 M5x6 for the back

x2 M4x5 for the front



- a Place the center module on the freestanding module
- b Secure it with the screws provided. Please note 2 x M5X6 screws for the back and 2 x M4x5 screws for the front

3

Run the cables inside and install backplate

