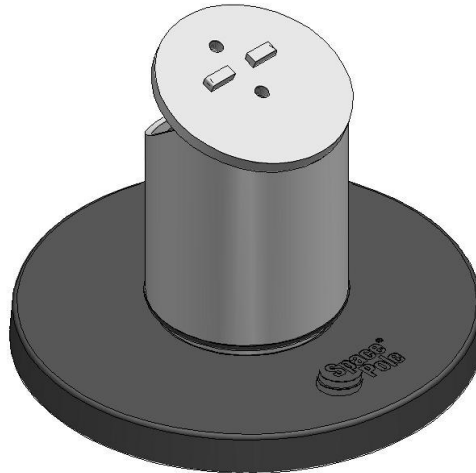


Project Configuration Sheet – LNTP101-nn

SP1 NonTilt™ with Low Profile Pole Mount Version 1.0



Parts List

| Part No. | Description | Qty | Assemble | Box |
|-----------|---|-----|----------|-----|
| 1101-0040 | 40mm SpacePole with flange and 210° 7mm rotation slot | 1 | | 1 |
| 7502 | NonTilting joint with anti wobble sleeve (P22116), M6/6mm hex screw (M9936-0606), and SpacePole sticker (MK15-0007) | 1 | | 1 |
| P22505 | Plastic flange cover | 1 | | 1 |

Fixings

| | Description | Qty | Box |
|-----------|------------------------------|-----|-----|
| MK10-0001 | 10 x 5/8 self tapping screws | 4 | 1 |
| | 4mm Allen Key | 1 | 1 |

Install Instructions

MK15-0017

Box Box B012 with NonTilt™ in Box B010
36 x B012 packed in Master Box B014

Box Label MK15-0021 – SP1 NonTilt™-nn – SP1 NonTilt™ Pole Mount
MK15-0021 – LNTP101-nn – SP1 NonTilt™ with 40mm Pole – V 1.0
MK15-0001 – 36 x LNTP101-nn – SP1 NonTilt™ with 40mm Pole V 1.0

Security Seal MK15-0002

| Colour | <nn> | |
|--------|------|------------|
| | 01 | Light Grey |
| | 02 | Black |
| | 03 | Silver |
| | 04 | Pearl |
| | 05 | Iron Grey |

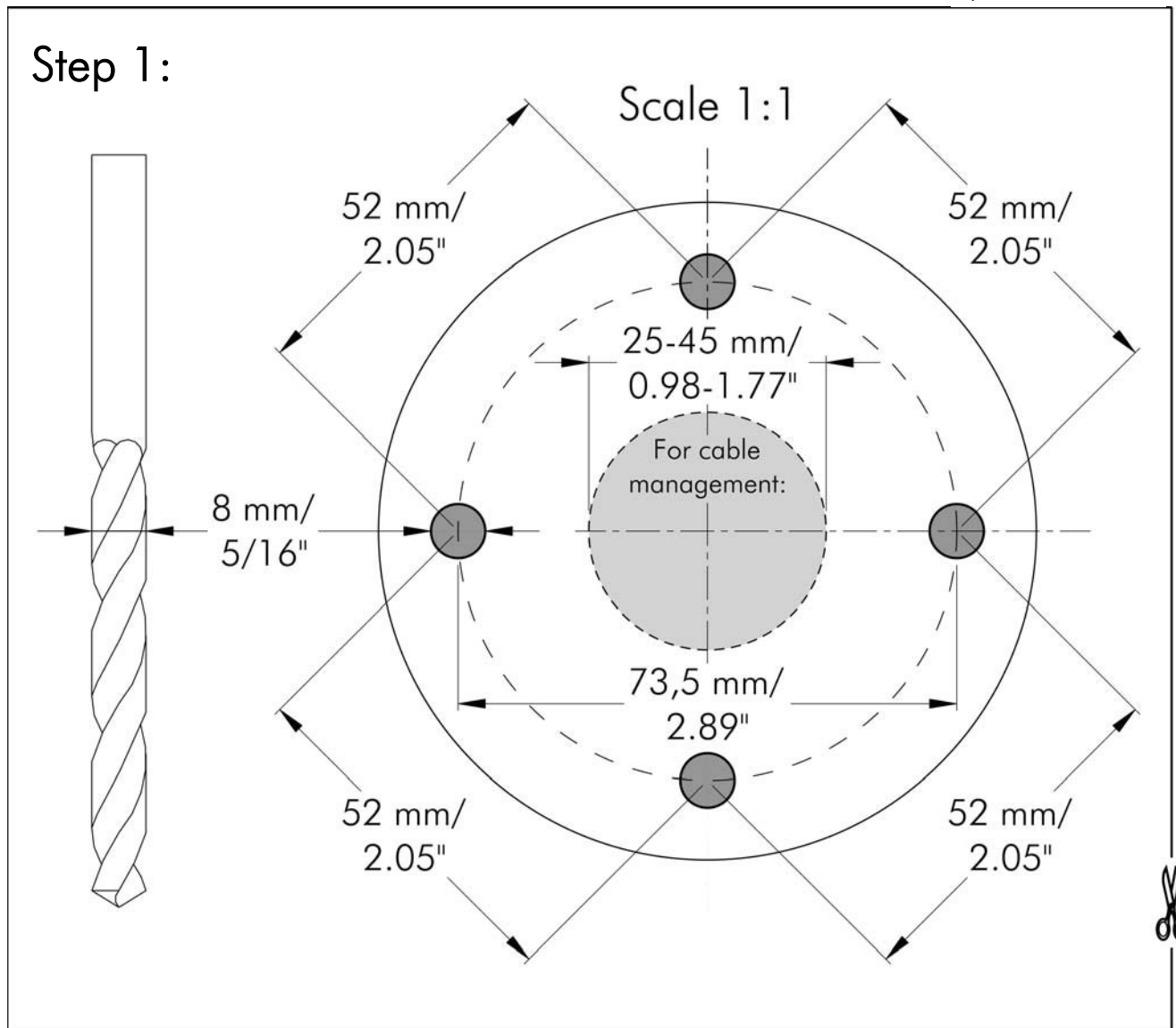
Top Mounted - Bolt Through

Tools required:

- Drill - 8mm or 5/16"
- Hole cutter for cable management

P/N: MK0-0001

Step 1:



Step 2:

