

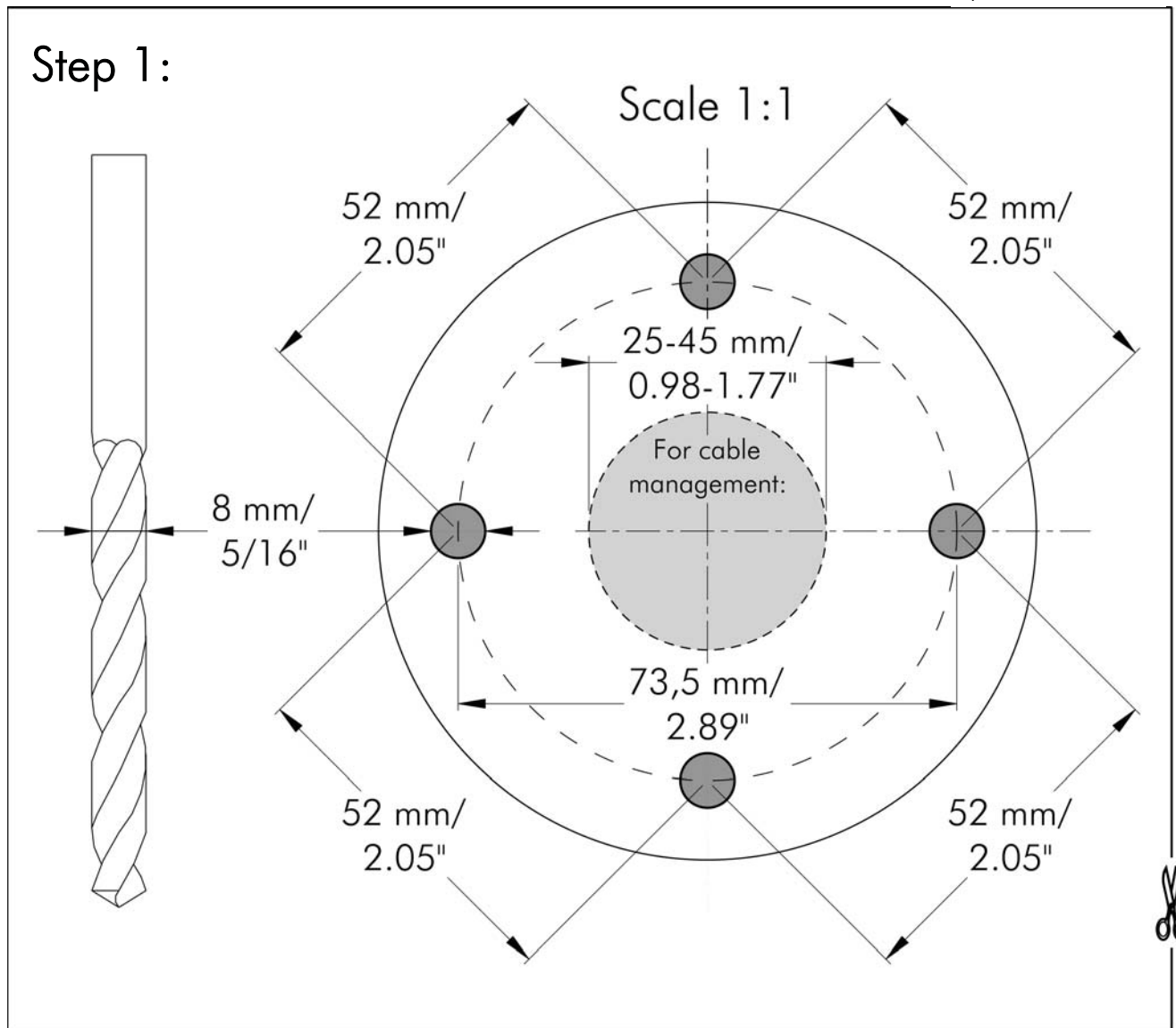
Top Mounted - Bolt Through

Tools required:

- Drill - 8mm or 5/16"
- Hole cutter for cable management

P/N: MK0-0001

Step 1:



www.spacepole.com

Step 2:

