

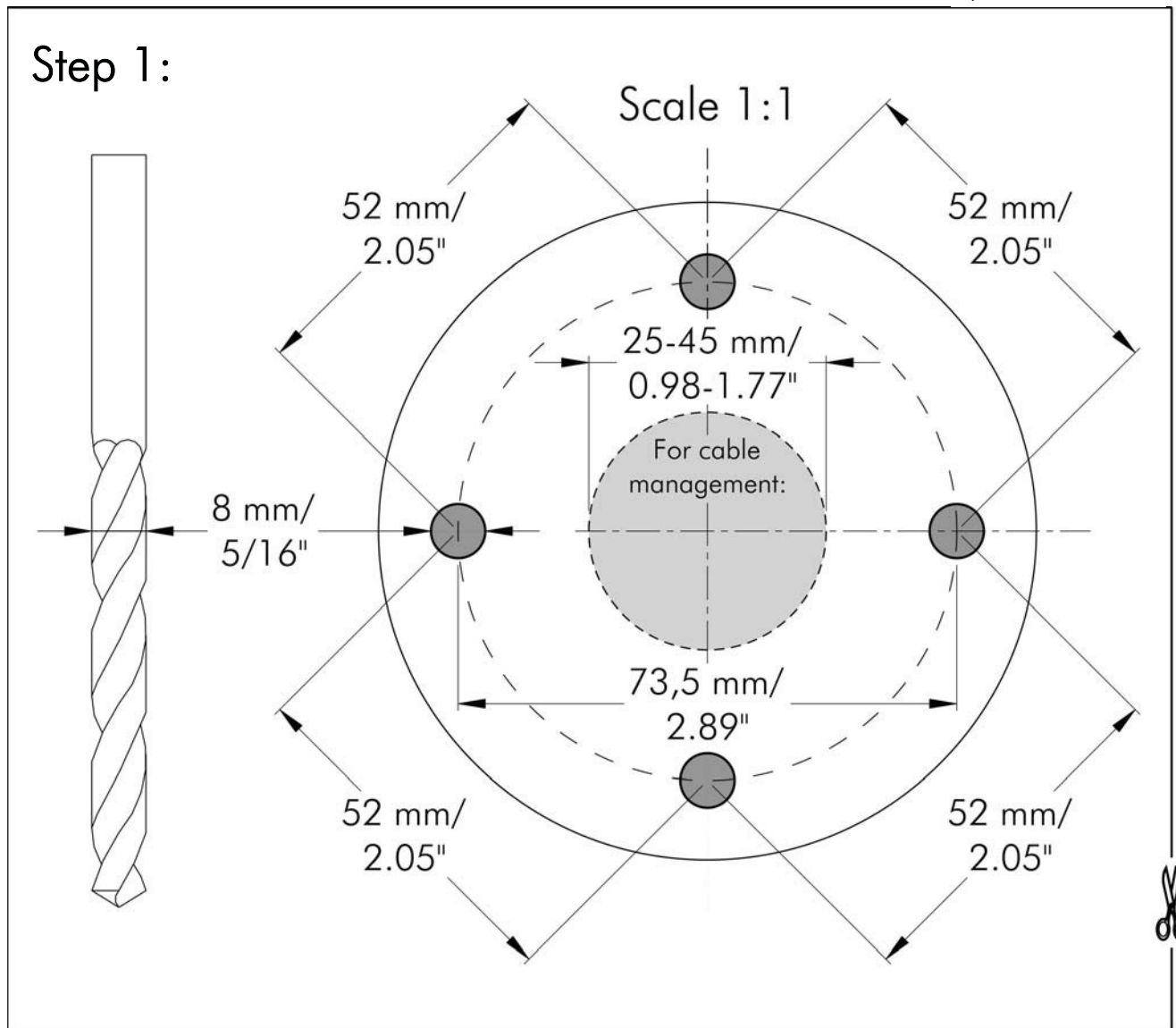
# Top Mounted - Bolt Through

**Tools required:**

- Drill - 8mm or 5/16"
- Hole cutter for cable management

P/N: MK0-0001

**Step 1:**



**Step 2:**

